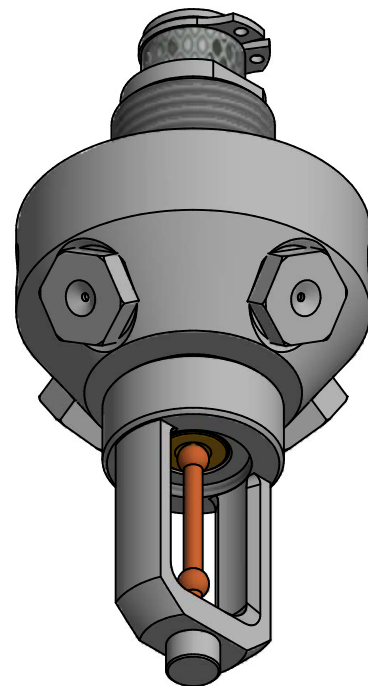
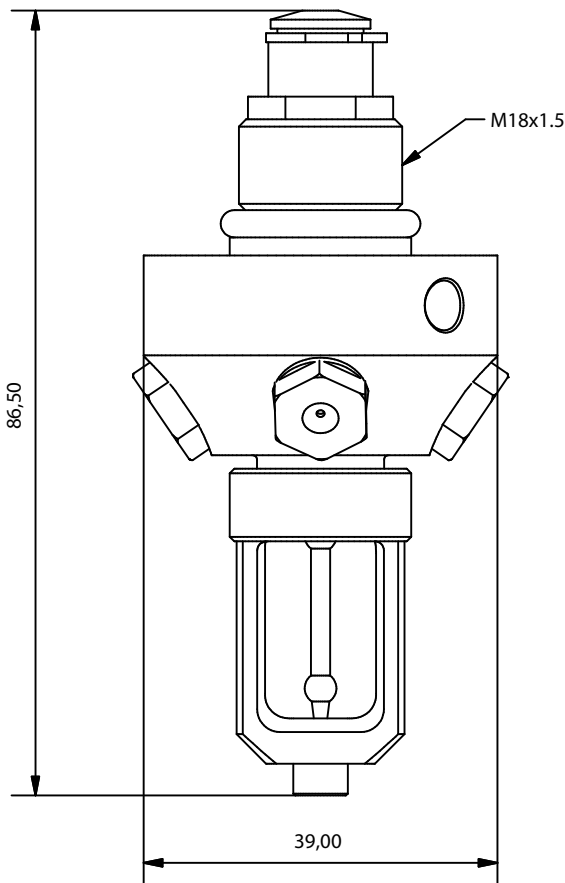
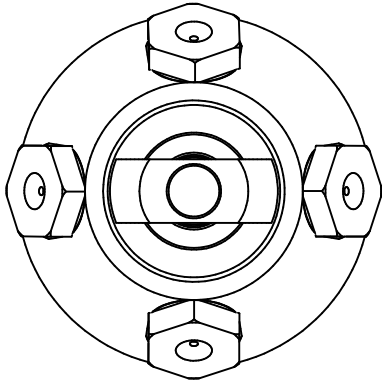


CLOSED DIFFUSER 5 NOZZLES

AN/CCxxxT5



| Specifications | |
|----------------|-------------------------|
| Name | Value |
| Material | AISI 304 |
| Coverage | 9 - 12 m ² |
| Flow | 2 - 25.5 L/min (120bar) |

| Reference | Nominal coverage angle |
|------------|------------------------|
| AN/CC120T5 | 120° |
| AN/CC90T5 | 90° |



Av. Alfonso Peña Boeuf, 6 y 9
 28022 MADRID - ESPAÑA
 TEL: +34 913121656
 FAX: +34 913295820

DATA SHEET

CLOSED DIFFUSER 5 NOZZLES

Description: Closed diffuser of nebulized water made of AISI 304 stainless steel with thermal blister (fuse) that breaks at 57°C.

| Code file: | Family file: | Reference | Drawn: | Date: | Reviewed: | Date: | Revision: | Format: |
|----------------|--------------|------------|--------|------------|-----------|------------|-----------|---------|
| AEX-FTC-05-011 | Microaqua | AN/CCxxxT5 | DCM | 09-03-2020 | ENC | 09-03-2020 | 1 | A4 |